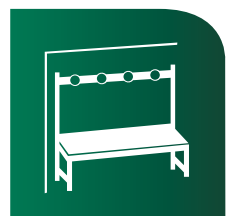
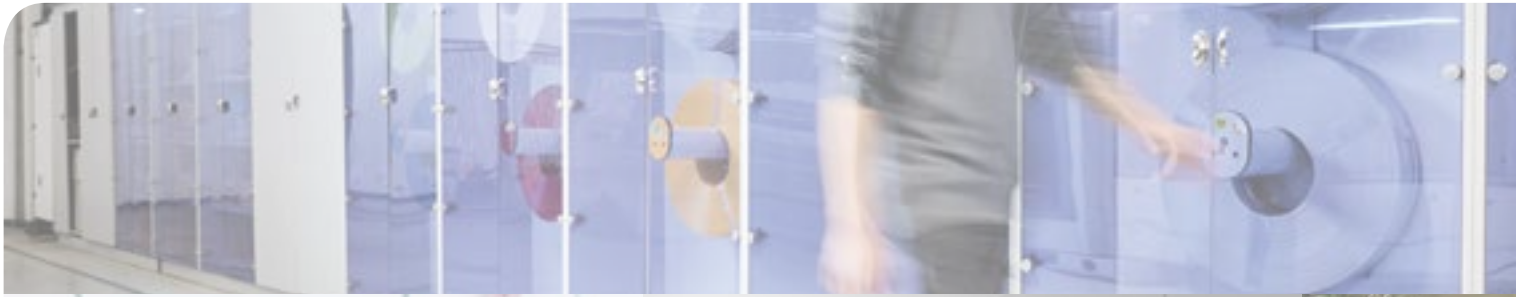


## BENCHES

EXTREMELY DURABLE · VERSATILE  
COMFORTABLE





# CONTENT

PRIVACY SOLUTIONS	4
DESIGN	6
COLOUR RANGE	7
VERSIONS	8 - 10
HOOKRAIL / FLOOR ENDINGS	10
TECHNICAL DETAILS	11



# PRIVACY SOLUTIONS

## Products from meta

meta offers numerous solutions with multiple versions, to create your privacy.  
We provide suitable solutions for all requirements.

We are the close and reliable partner to architects, planners, craftsmen and building authorities.



### Quality

Our products meet your requirements.  
Quality made in Germany.



### Price/Service

We know that the price-performance relationship must be right and offer fair prices.



### Innovation

We enjoy trying new things and are open-minded about changes.



### Speed

We are fast. Your order can usually be produced within hours.



### Delivery reliability

We don't let you down. We guarantee delivery on time.



### Sustainability

We practice sustainable waste management and use environmentally friendly energy.



### Technology

Our production works with the latest technology. This guarantees precision and a reliable high quality.



### Assembly

Assembly is carried out by trained fitters. Customers may also choose self-installation with detailed installation manuals.



# BENCHES DESIGN GA

## Wet area

Our benches GA are the ideal equipment for changing rooms and fit perfectly to the design and colour range of our lockers and cubicles.

They are suitable for wet areas and indestructible. The length of the benches can be chosen individually. For widths over 1990 mm several seats or backrests are used.

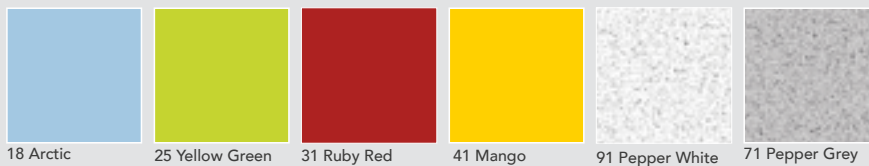
### GA

- Seat made of 13 mm HPL panels, above 600 mm length doubled to 26 mm
- Backrest made of 13 mm HPL panels
- Frame made of aluminium anodized profiles
- Suitable for highest demands in wet areas

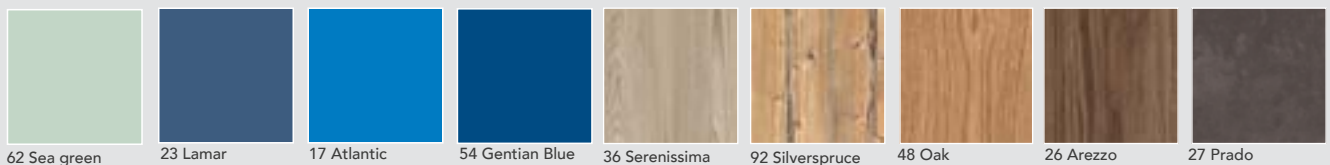


# COLOUR RANGE

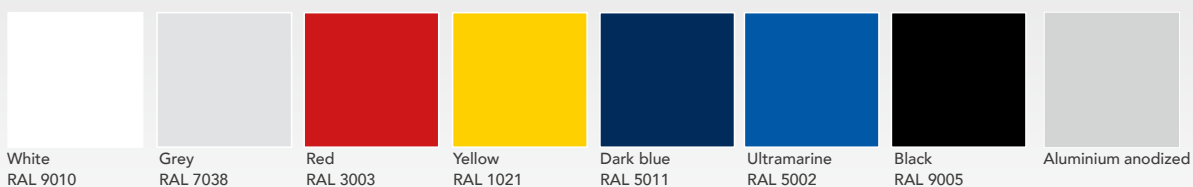
## PANELS STANDARD COLOURS



## PANELS SPECIAL COLOURS with surcharge. Delivery time about 6 weeks.



## PROFILES, HOOKRAILS, ALUMINIUM BRACKETS STANDARD COLOURS



## HOOKS



black  
RAL 9005

For technical reasons there might be a difference between RAL-colours and panel colours.

Due to technical printing reasons colours may differ from originals.

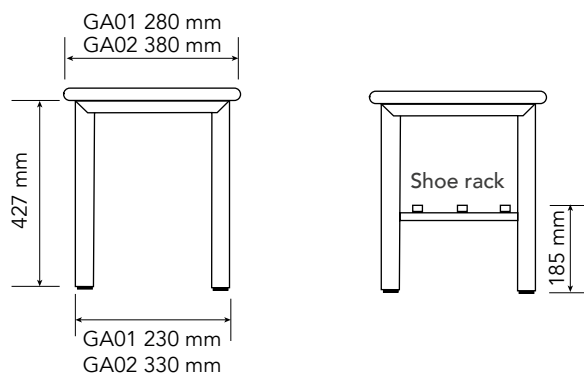
# BENCHES GA

VERSIONS OPTIONALLY WITH SHOE RACK

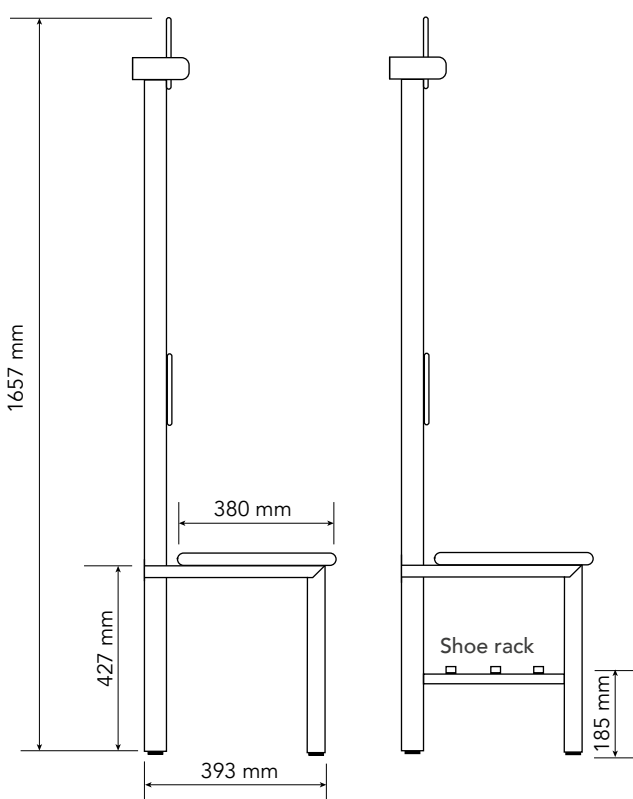


## GA01 AND GA02

Free standing seat bench.



## GA07

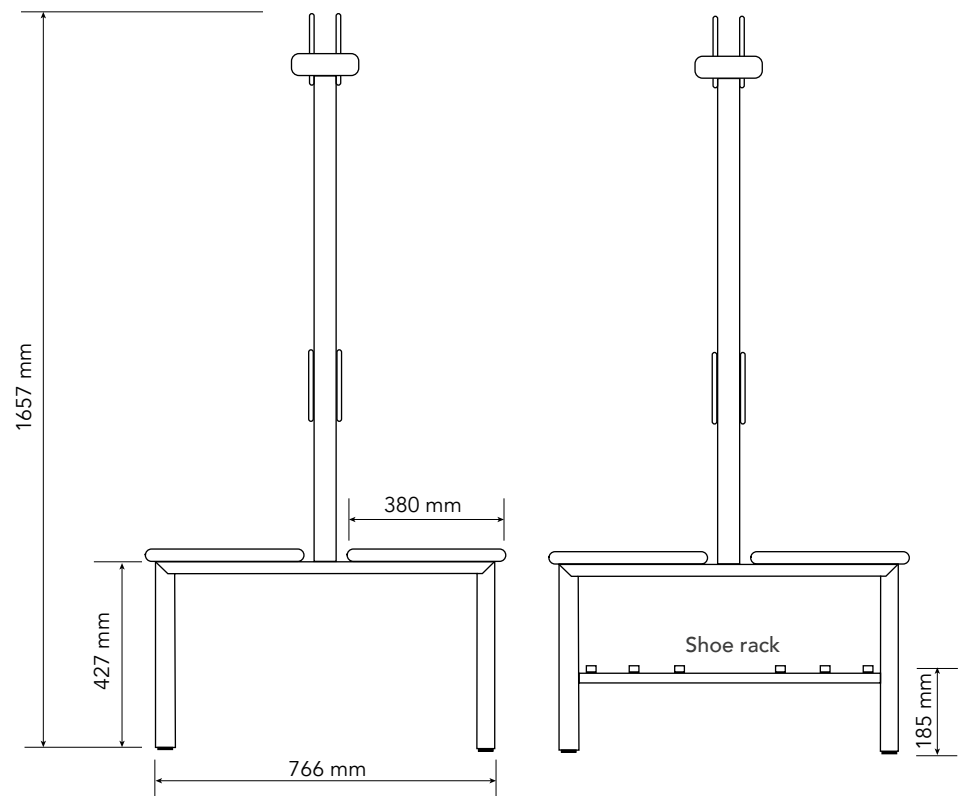






## GA09

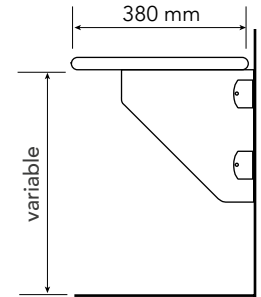
Wardrobe bench with  
hookrail double-sided.





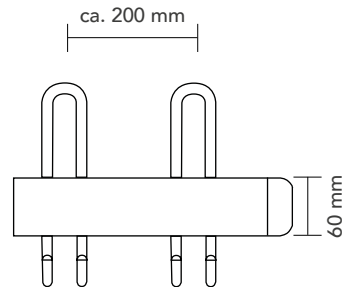
## BA

Wall mounted seat bench.



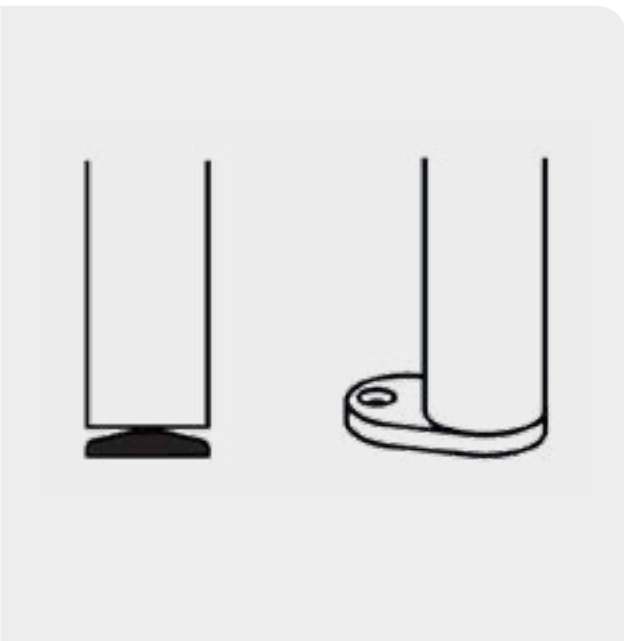
## HOOKRAIL

Edges, corners and hooks are rounded.



## FLOOR ENDINGS

With adjustable glides without floor mounting as standard or with mounting plates for floor mounting at an extra charge.



# TECHNICAL DETAILS

## TECHNICAL DETAILS GA

### **Construction**

The bench frames are made of aluminium round profiles,  $\varnothing$  42 mm, and the bench crossbars of special aluminium profiles.

Adjustable glides without floor mounting serve as floor endings as standard or mounting plates for floor mounting at an extra charge.

For wall mounted benches 13 mm HPL brackets with rounded edges are used.

Wall connections by solid aluminium brackets.

### **Seats**

13 mm water resistant HPL-Panels with coarse matt surface on both sides, from 600 mm length doubled to 26 mm.

### **Shoe rackets**

Consist of galvanised shelf profiles with black end caps and are available at extra cost.

## TECHNICAL DETAILS HOOKRAIL

### **Hookrail**

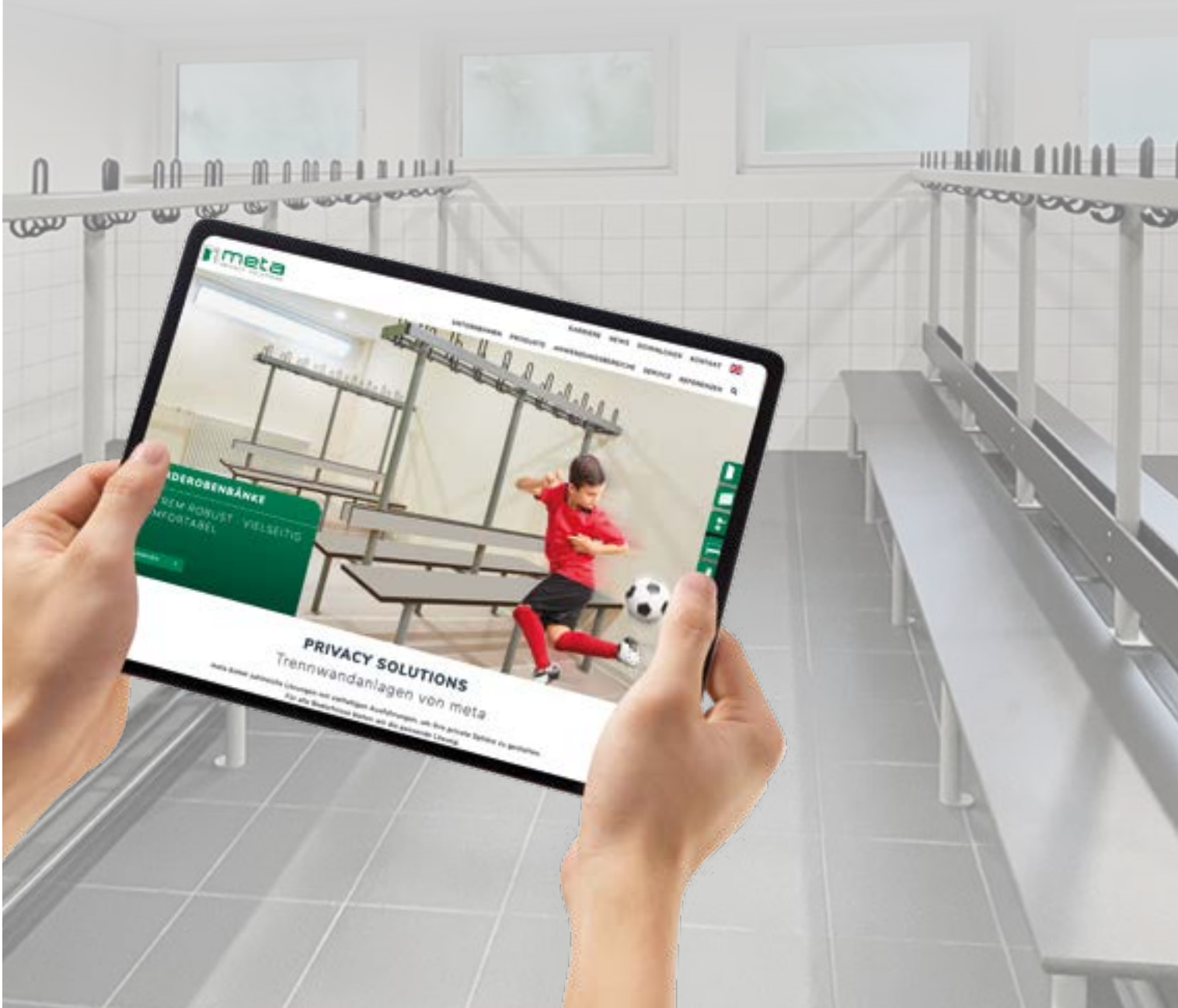
Made of aluminium profile, 60 x 24 mm

### **Hooks**

Hat hooks and double coat hooks made of 10 mm thick steel, powder coated in black.

**All corners, edges and hooks are rounded according to German Safety Regulations for wardrobes.**

ALL PRODUCT INFORMATION ONLINE  
[WWW.META.DE](http://WWW.META.DE)



[www.meta.de](http://www.meta.de)



**meta Trennwandanlagen GmbH & Co. KG**  
Metastraße 2 | 56579 Rengsdorf | Germany  
Tel.: +49 2634 66-0 | Fax: +49 2634 66-450  
[info@meta.de](mailto:info@meta.de)